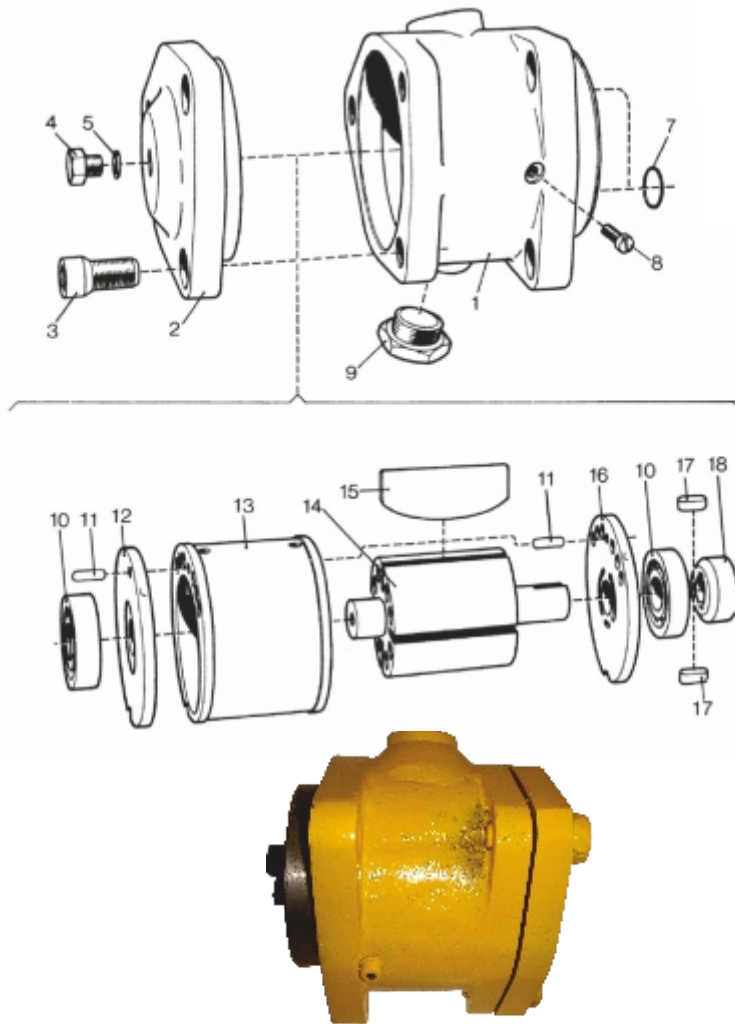


8. Traction Air Motor



No.	Description	Modified		Ref. Part No.	QTY
-	Traction Motor Complete			5021016081A	2
1	- Rotor Housing			5021016000	1
2	- Cover			5021016100	1
3	- Screw	0211548900	*	M10261	3
4	- Plug	0686370200	*	M10262	1
5	- Washer	0653107000	*	M10263	1
7	- O-Ring			0661103700	2
8	- Screw			0160424700	1
9	- Plug			0686370800	1
10	- Bearing			0502310500	2
11	- Pin			0108134200	2
12	- Cover Cylinder	5021018000		5096568200	1
13	- Cylinder			5097010500	1
14	- Rotor(w/out Thread)			5096568000	1
15	- Vane			5021010800	4
16	- Cover Cylinder	5021018400		5096568100	1
17	- Key			5096102000	2
18	- Coupling Half (Male)			5096146800	1

Note : ① Reference Part Number Starting With 'M' - Is Modified